
Mirror Cabinet Wiring Diagram

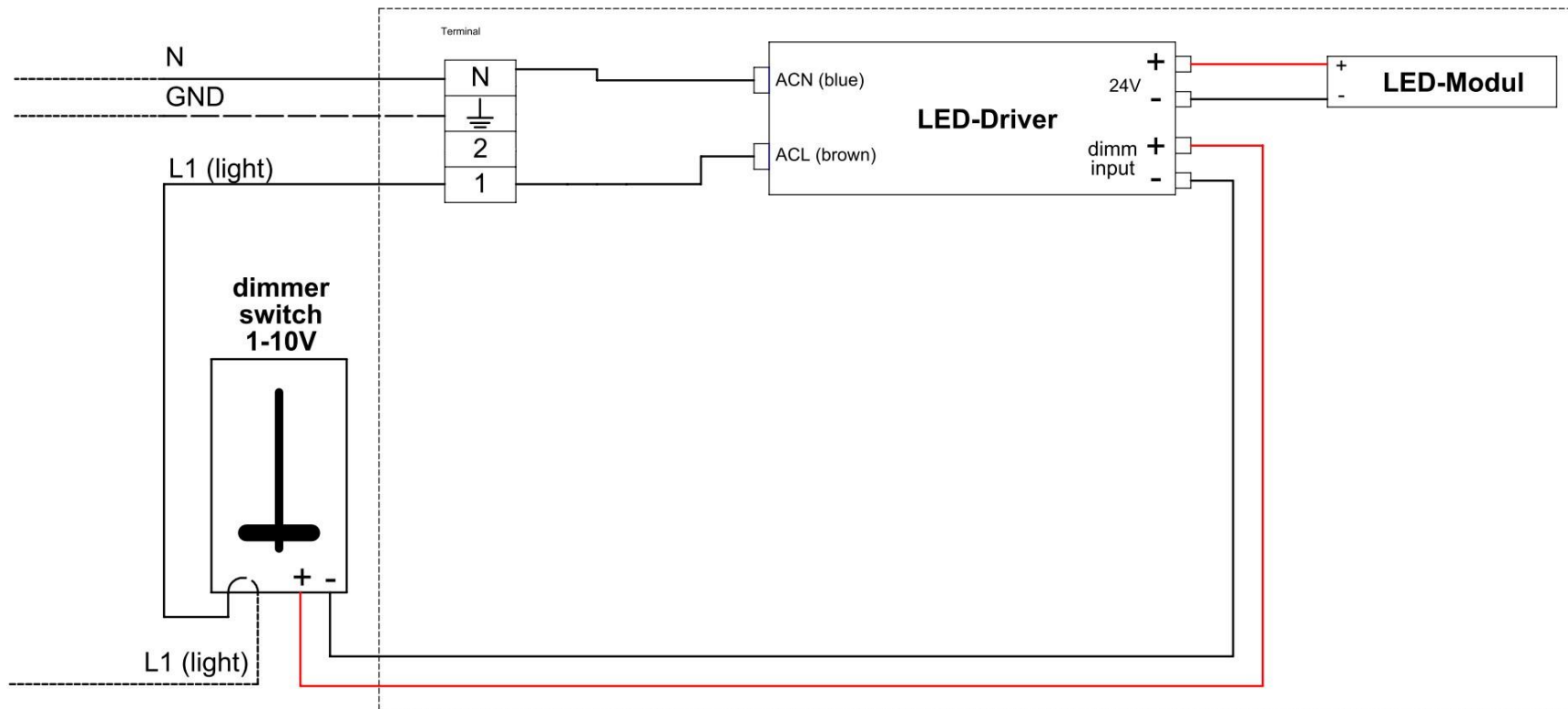
The wiring diagrams in this document apply to following collections:

- MODELLO Vertical Light fixture
- XAMO (Standard version only)

Important

- The cabinet/vertical light fixture requires wiring to a 0-10-Volt low voltage dimmer switch for the dimming function to work. (Dimmer switch not provided by SIDLER)
- The dimming function requires additional low voltage wiring.
- All low voltage wires require the same length to achieve an equal dimming level if multiple cabinets/vertical light fixtures are controlled by one dimmer switch.
- Multiple cabinets/vertical light fixtures require parallel wiring if controlled by one switch.
- The installation must be performed by a qualified licensed electrician.

Single-unit wiring diagram



Multi-unit wiring diagram

