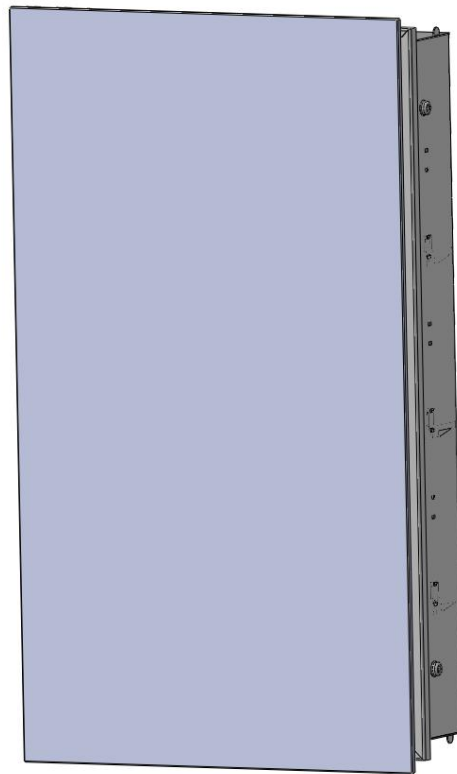


SIDLER Singla 1 / 19"



Please read instructions before proceeding

Save these instructions

IMPORTANT SAFETY INSTRUCTIONS - to reduce the risk of burns, fire, electric shock, or injury:

- This product is for household use only
- The maximum load is 1.5kg (3lbs) per glass shelf
- WARNING - do not use outdoors
- WARNING - use this furnishing only for its intended use as described in these instructions
- WARNING - never operate the furnishing with the air openings blocked. Keep the air openings free of lint, hair, and the like
- WARNING - never drop or insert any object into any opening
- WARNING - avoid dispensing of aerosol sprays near top of the cabinet
- When using an electrical furnishing, basic precautions should always be followed, including the following:

Read all instructions before using (this furnishing)

- DANGER - To reduce the risk of electric shock:
Close supervision is necessary when this furnishing is used by, or near children, invalids, or disabled persons
- SAVE THESE INSTRUCTIONS

List of all components to be installed

Pos.	Pcs.	Description	Dimension [mm]	Comment
1	1	mirror door		
2	1	cover cap dampener		
3	3	glass shelve		
4	4	screw	Ø4.5 x 35	
5	1	cosmetic mirror		
6	1	cosmetic box		
7	1	dampener		
8	2	dump stop		
9	6	shelf holder		spare part
10	6	slider		spare part

			
pos. 1 mirror door	pos. 2 cover cap dampener	pos. 3 glass shelf	pos. 4 screw
			
pos. 5 cosmetic mirror	pos. 6 cosmetic box	pos. 7 dampener	pos. 8 dump stop
			
pos. 9 shelf holder	pos. 10 slider		

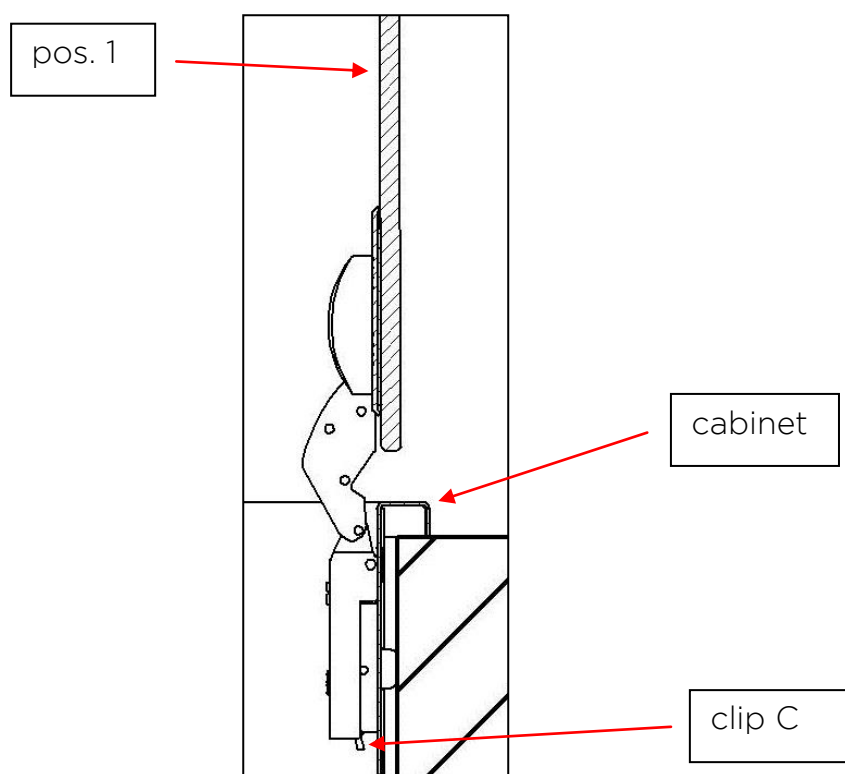
Installation Guide

Step 1 - Remove the mirror doors

- 1) Remove the door (pos.1) from the cabinet by draw clip C.

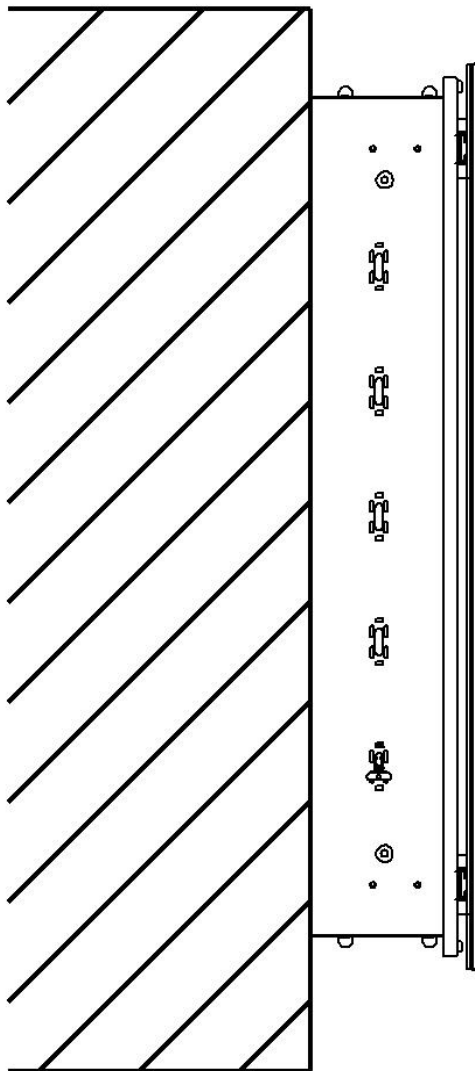
!Attention!

Do properly hold the door before pushing clip C
Handle door carefully

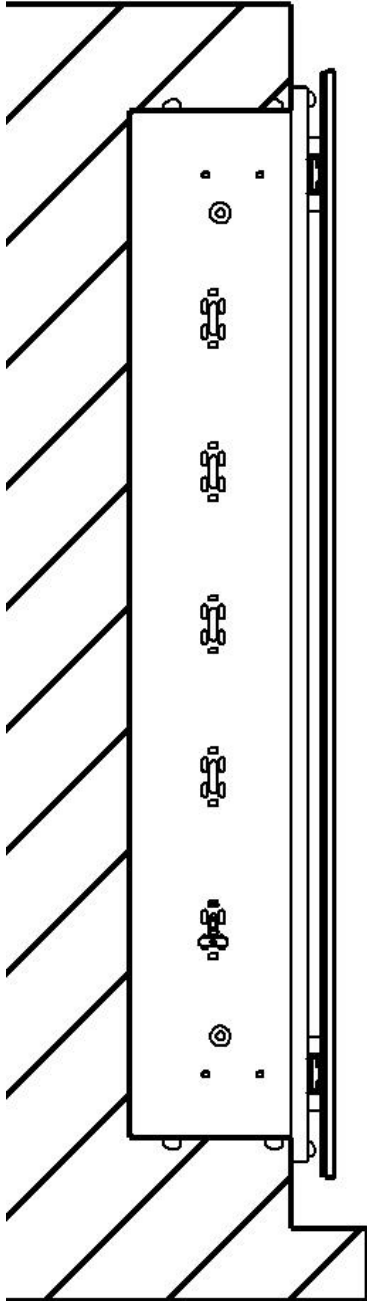


Step 3 - surface mounts

- 1) Use **wall mount kit** including side mirrors (see separate Operating Instruction *wall mount kit for Singla*) if cabinet will be wall mounted.

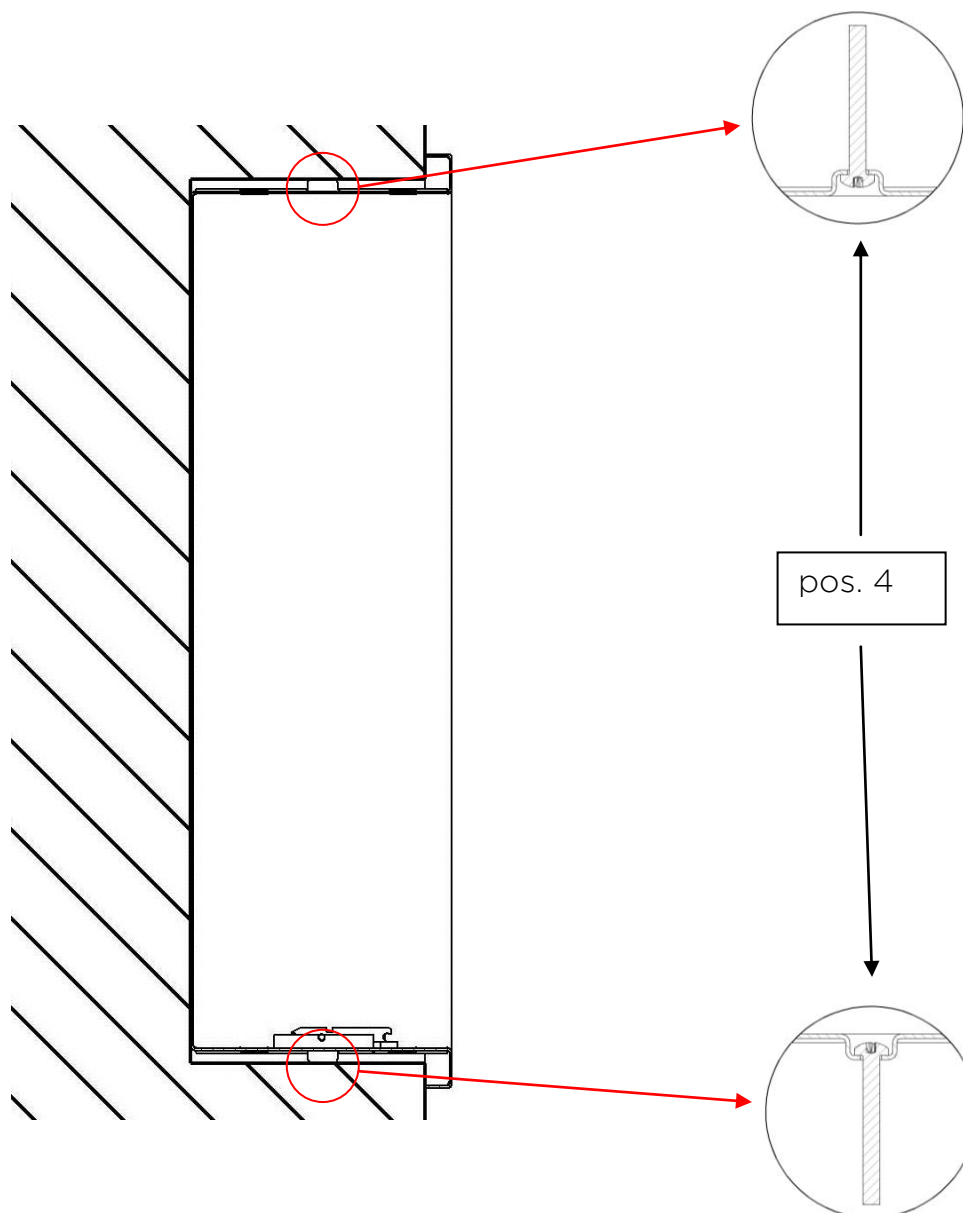


2) Proceed with step 4 if cabinet will be recessed.



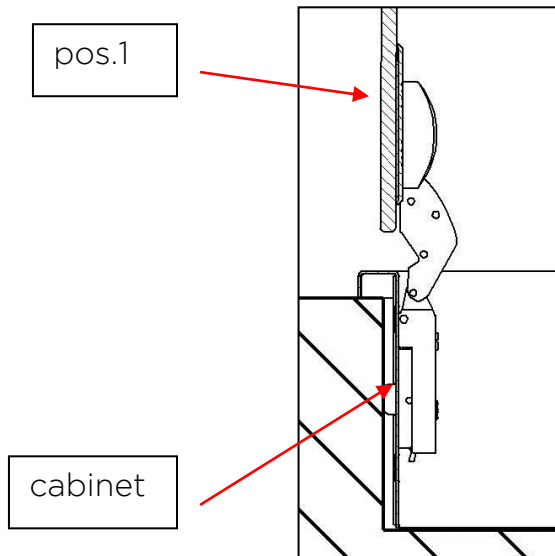
Step 4 - recessed mount cabinet

- 1) Place the cabinet in the provided opening 18.2" x 24" which is surrounded by 2" x 4" studs.
- 2) If the cabinet does not fit in to the provided opening, do rework on the opening and studs until cabinet fits.
- 3) Tighten the screws on provided openings.

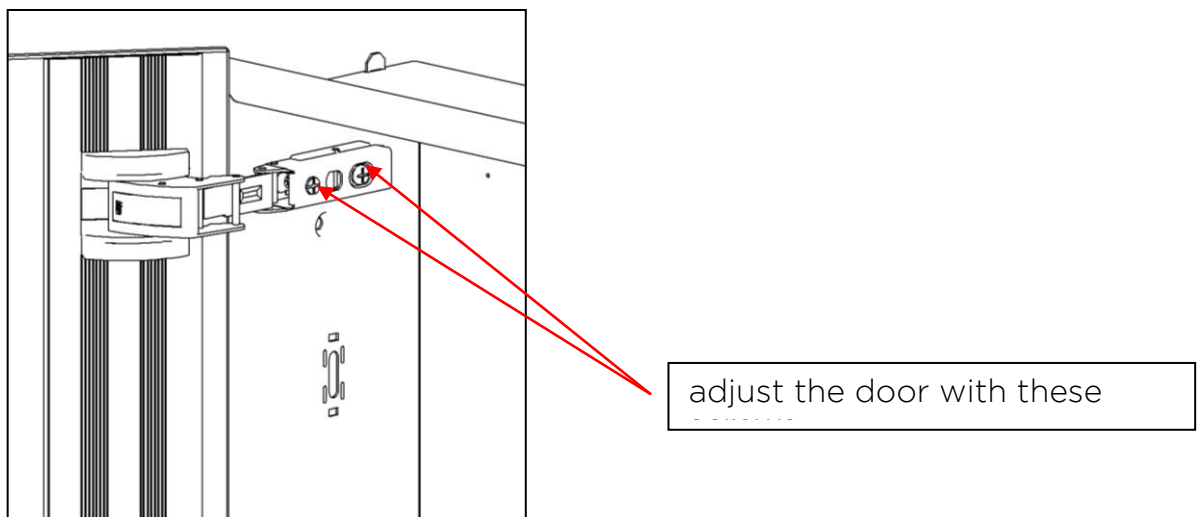


Step 5 - Doors

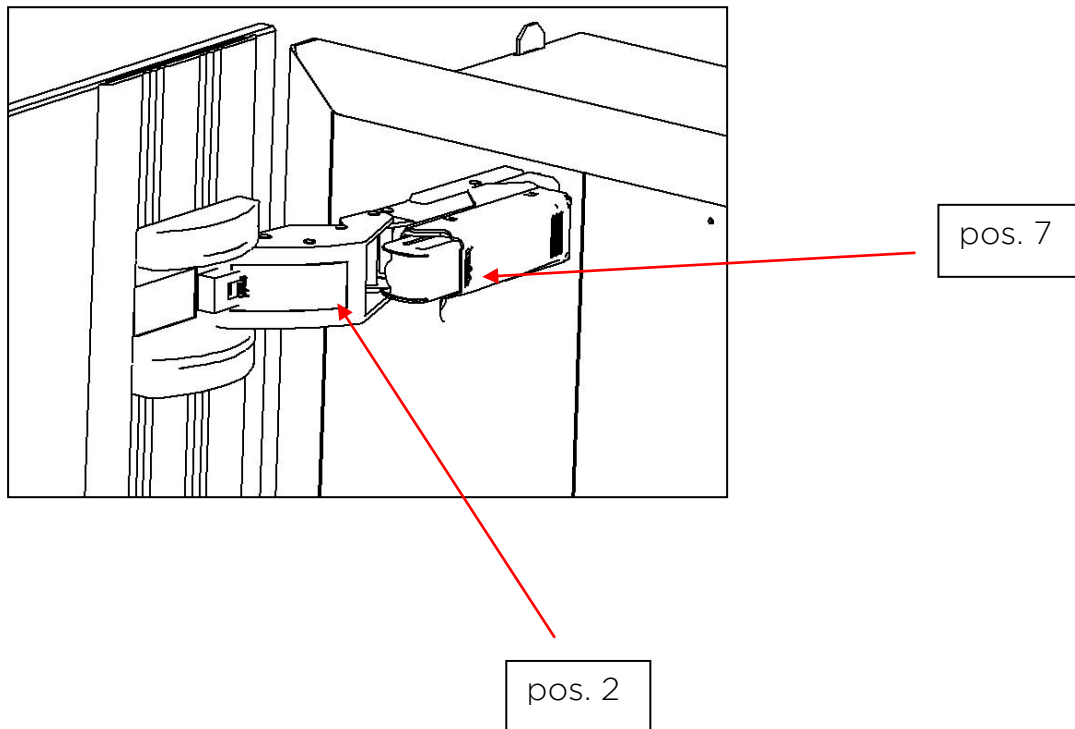
- 1) Hang the doors on the hinges (pos. 1).



- 2) Align the doors (pos. 1) on the hinges (see diagram for adjustment possibilities).

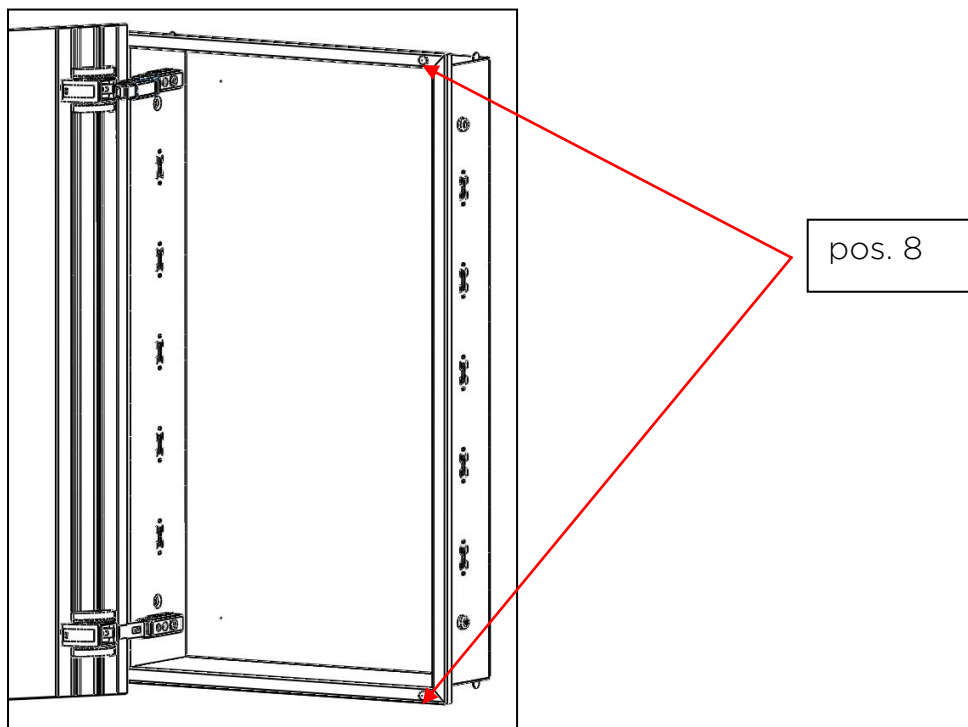


- 3) Place the cover cap on the door dampeners (pos. 2) and attach the door dampeners (pos. 7) to the hinges.

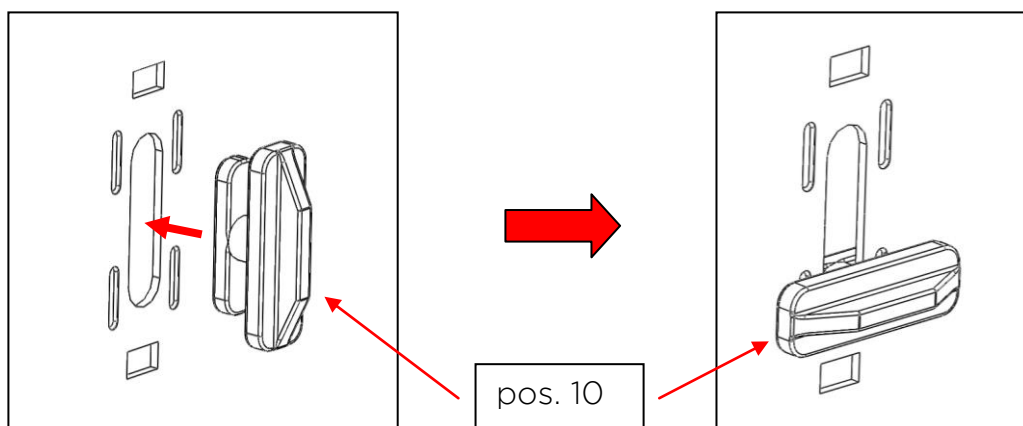


Step 6 - Final Assembly

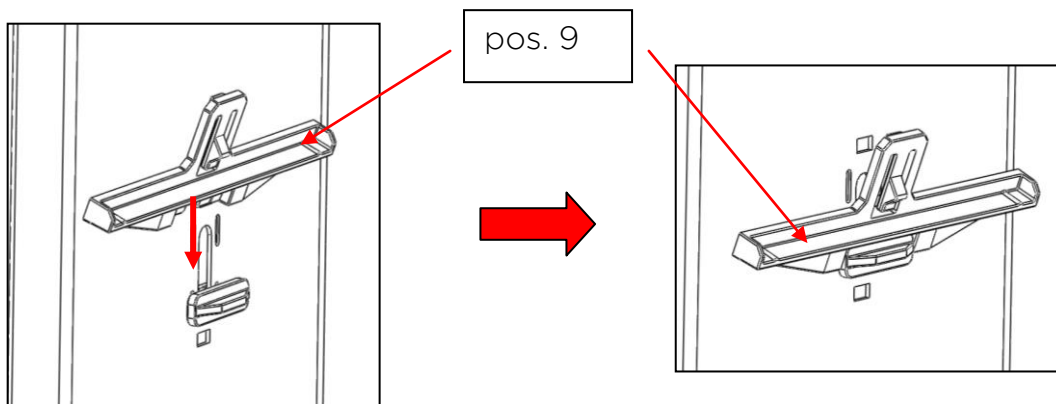
- 1) Push the dump stops (pos. 8) into the holes provided.



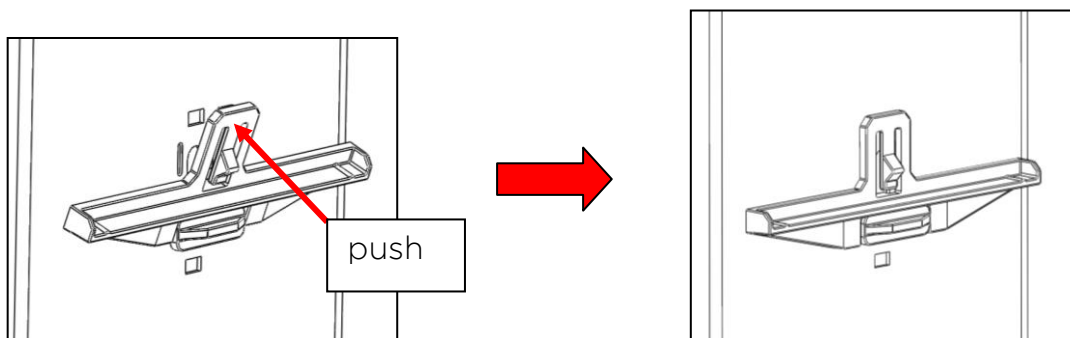
- 2) Push the slider (pos. 10) into the holes provided and turn it by 90°.



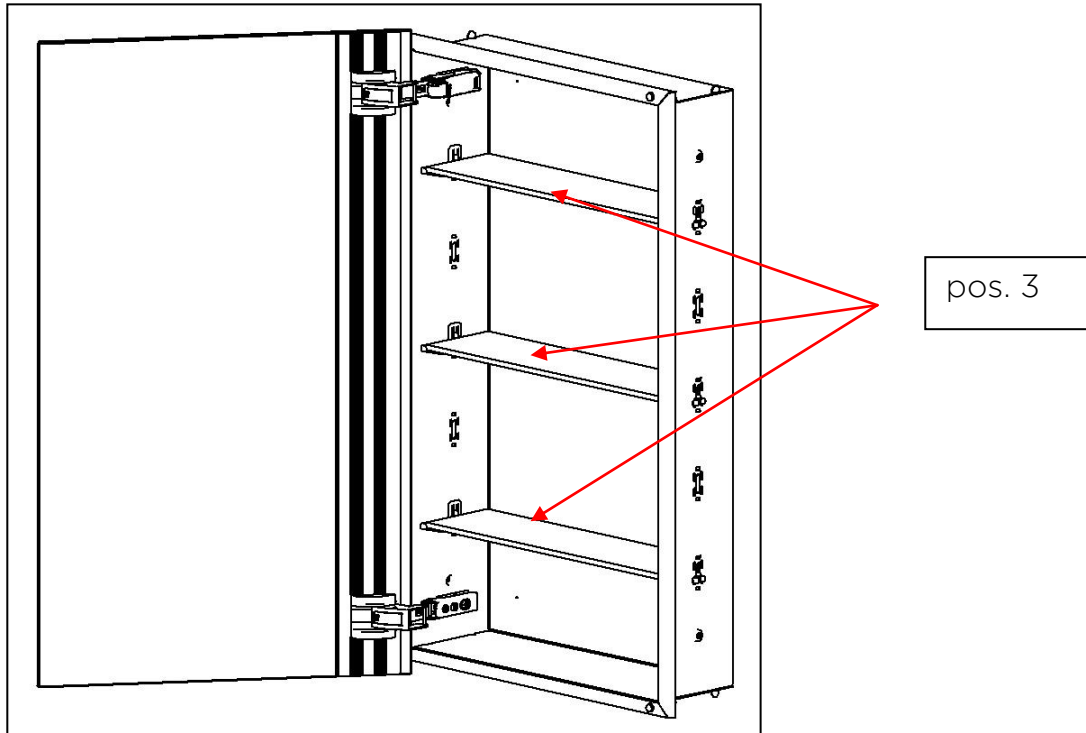
3) Push the shelf holder (pos. 9) gently down



4) Put the shelf holder into place by gently pushing down



- 4) Place the glass shelf (pos. 3) into the shelf holder. Glass shelf (pos. 3) must always be positioned horizontally!



Step 7 - Cleaning

- 1) Mount the glass cover in accordance with the diagram.
Do not use abrasive cleaners, scrapers, metal brushes, or any items or products that could scratch or dull the surface.
Do not allow the surface to come into contact with products such as acetone (nail polish remover), dry cleaning solution, lacquer thinner, gasoline, etc.

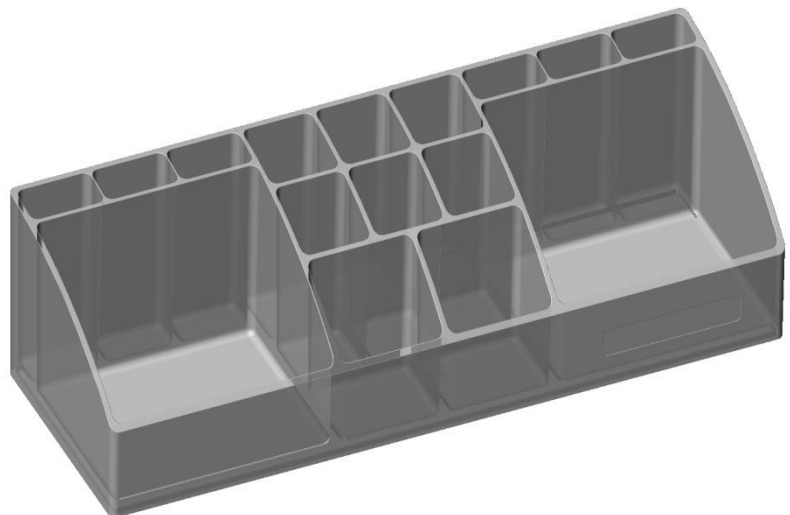
Step 8 - Cosmetic Box and Cosmetic Mirror

The cosmetic mirror (pos. 5) and the cosmetic box (pos. 6) are positioned individually by the customer.

cosmetic mirror



cosmetic box



LIMITED WARRANTY

SIDLER will provide a two-year warranty in respect of defects associated with the Product, commencing from the date of delivery, subject to the following conditions:

- (I) The Product must have been professionally mounted and installed by a certified licensed contractor in accordance with the *Safety Standards Act*, S.B.C. 2003, c. 39, as amended, and the Electrical Safety Regulation B.C. Reg. 100/2004, as amended.
- (II) The Product must have been used by the Purchaser in the manner and for the purpose recommended and authorized by SIDLER and the manufacturer.
- (III) The Product must not have been modified, or changed in design or function following delivery.
- (IV) In each case, written notice by the Purchaser specifying the alleged defects must be received during the warranty period (within two years of the date of delivery).
- (V) The warranty is limited to replacement parts only.
- (VI) Damages resulting from normal wear and tear are excluded. The determination of whether damage has so resulted will be in the sole discretion of SIDLER.
- (VII) Damages resulting from any errors in representations made by the manufacturer regarding product specifications are excluded.

SIDLER International Trade Ltd.
Vancouver, BC
CANADA

Phone: (604) 415 24 22
Toll Free: (888) 415 24 22
Fax: (604) 415 24 33
E-mail: info@sidler-international.com
Homepage: www.sidler-international.com