

---

# Mirror Cabinet Wiring Diagram

---

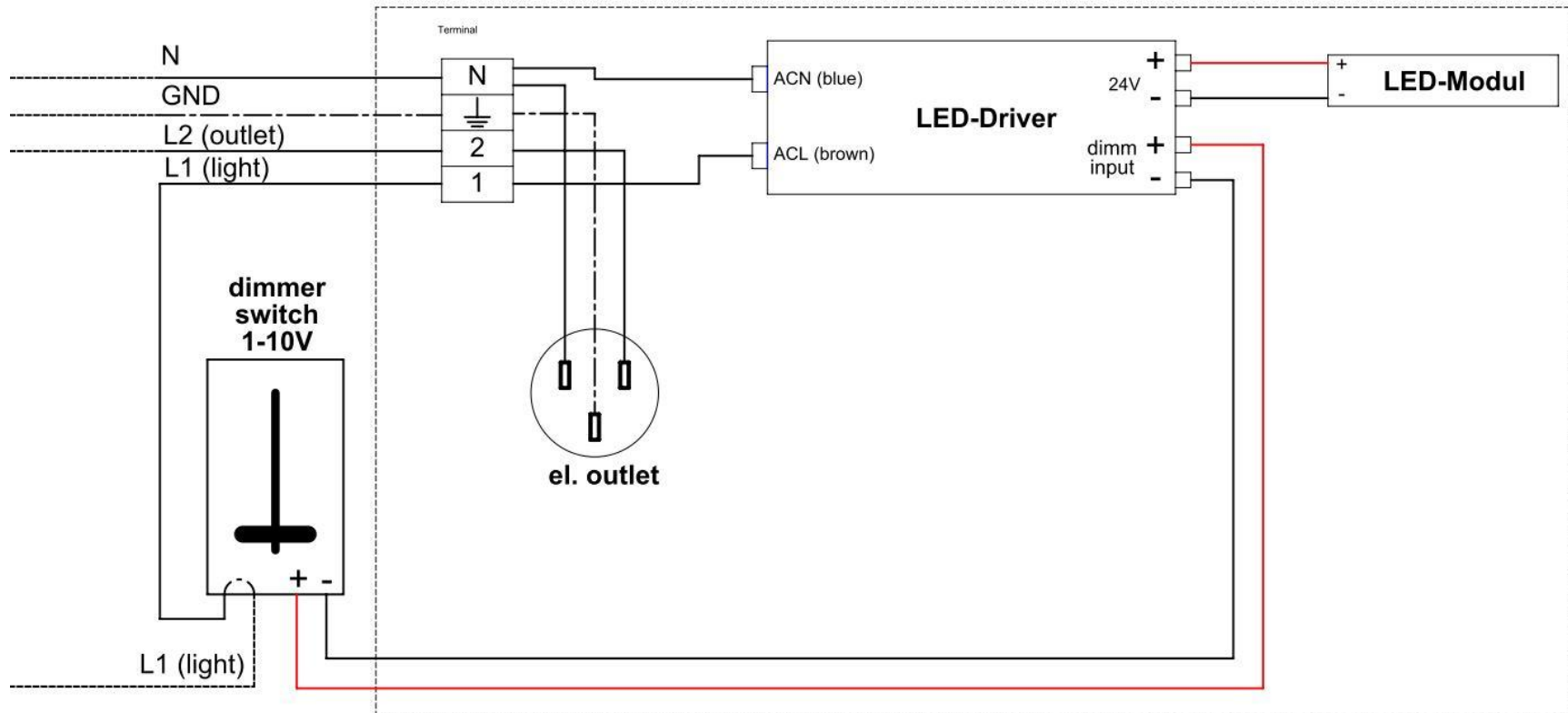
The wiring diagrams in this document apply to following collections:

- LED
- DIAMANDO-LED
- SIDELIGHT
- XAMO (Deluxe version only)

## Important

- The cabinet requires wiring to a 0-10-Volt low voltage dimmer switch for the dimming function to work. (Dimmer switch not provided by SIDLER)
- The dimming function requires additional low voltage wiring.
- All low voltage wires require the same length to achieve an equal dimming level if multiple cabinets are controlled by one dimmer switch.
- Multiple cabinets require parallel wiring if controlled by one switch.
- The installation must be performed by a qualified licensed electrician.

# Single-unit wiring diagram



# Multi-unit wiring diagram

